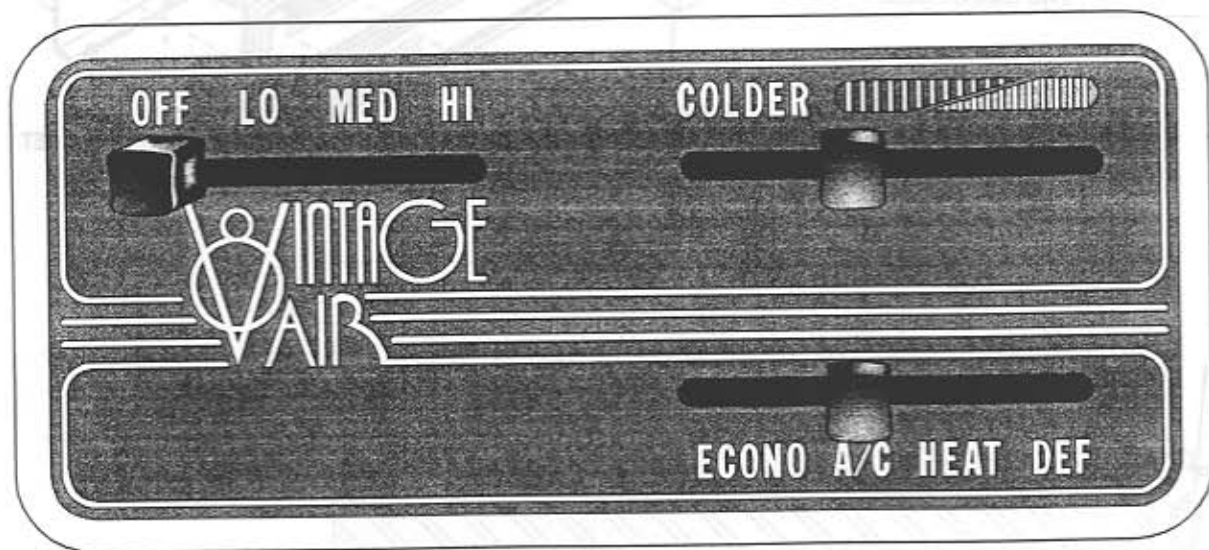


VINTAGE
AIR

INSTALLATION INSTRUCTIONS FOR PROLINE CONTROL PANEL SERIES II & III

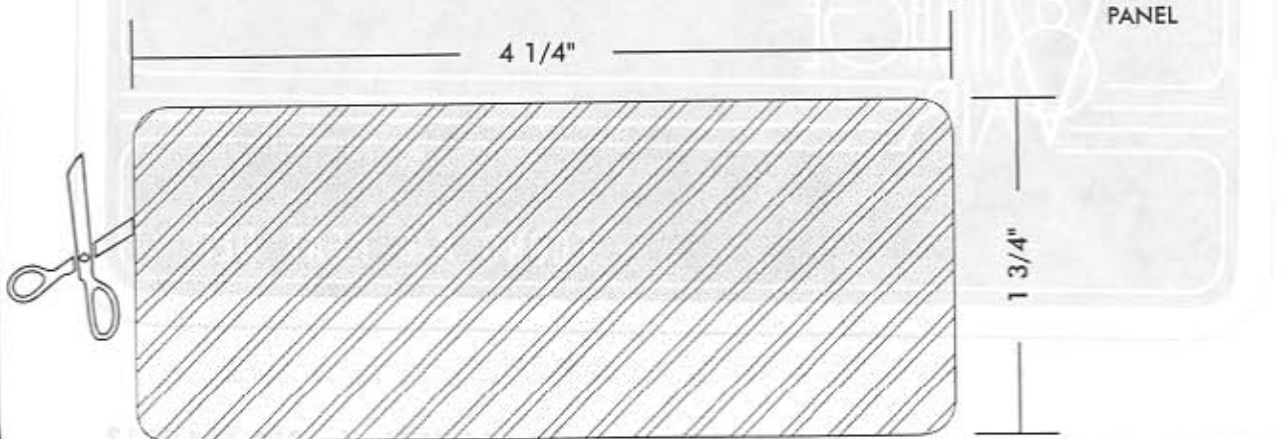
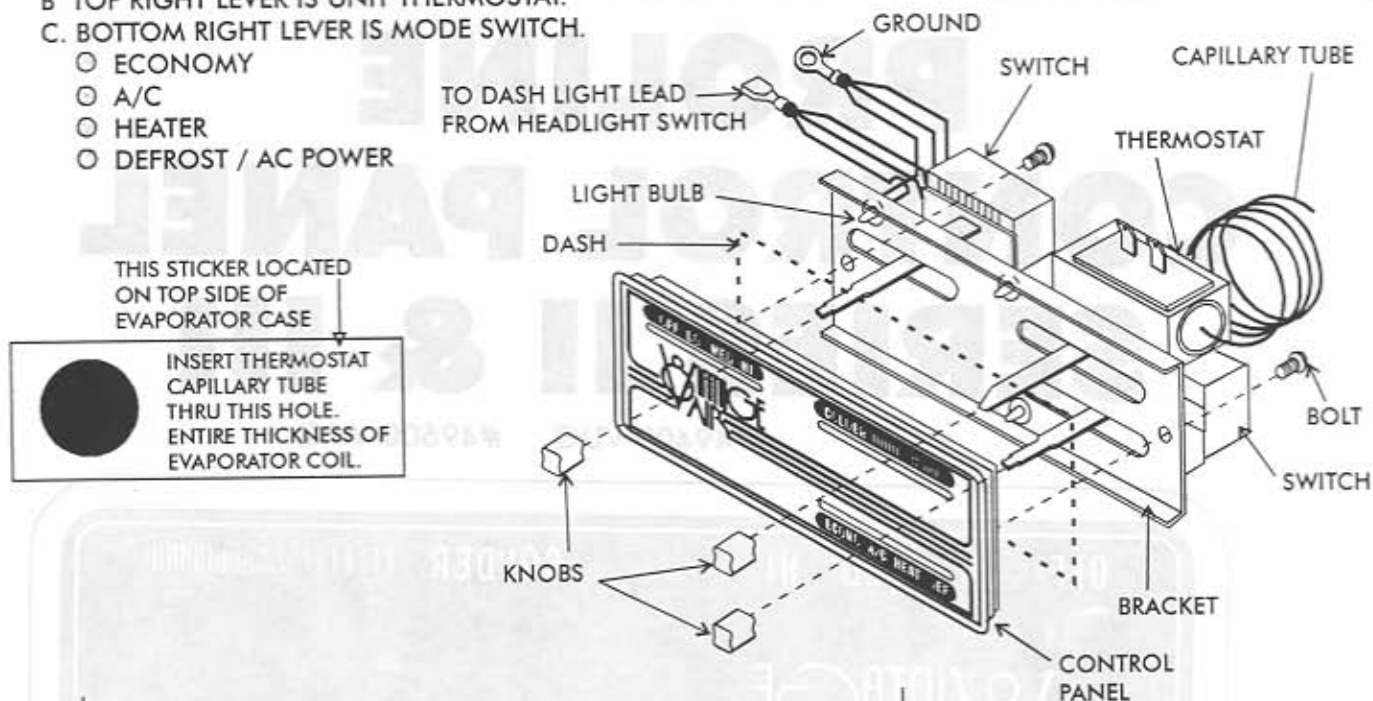
#49400-VUQ #49600-VUQ



10305 I.H. 35 N. - SAN ANTONIO, TX. - 78233 - ph.210-654-7171 - fax 210-654-3113

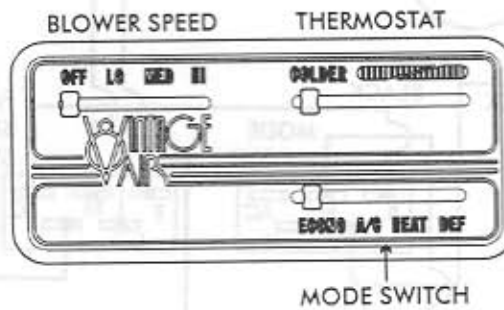
INSTALLATION INSTRUCTIONS FOR PROLINE CONTROL PANEL SERIES II & III (49400-VUQ & 49600-VUQ)

1. CUT OUT TEMPLATE ON DOTTED LINE. CHECK DIMENSIONS BEFORE CUTTING.
2. TAPE TEMPLATE TO DASH WITH MASKING TAPE.
3. MARK DASH WITH MARKER OR SCRIBE.
4. CUT OUT OPENING FOR PANEL.
5. WIRE PANEL ACCORDING TO WIRING DIAGRAM.
6. INSERT PANEL FROM FRONT OF DASH.
7. INSTALL SWITCH MOUNTING PLATE TO PANEL WITH TWO (2) SCREWS. THIS WILL SECURE PANEL IN PLACE.
8. UNCOIL CAPILLARY TUBE ON THERMOSTAT AND INSERT INTO EVAPORATOR AS INDICATED.
9. TEST CONTROLS.
 - A. TOP LEFT LEVER IS FAN SPEED.
 - LOW, MEDIUM AND HIGH BLOWER.
 - THIS WILL ALSO SEND POWER TO MODE SWITCH.
 - B. TOP RIGHT LEVER IS UNIT THERMOSTAT.
 - C. BOTTOM RIGHT LEVER IS MODE SWITCH.
 - ECONOMY
 - A/C
 - HEATER
 - DEFROST / AC POWER

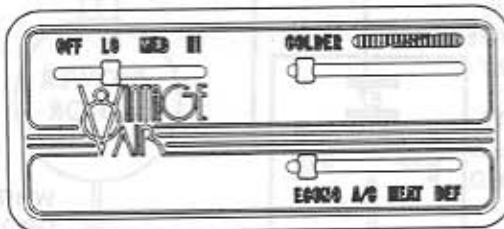


OPERATION OF CONTROLS FOR HORIZONTAL PROLINE CONTROL PANEL (49120-VUQ , 49220-VUQ, 49400-VUQ & 49600-VUQ)

SYSTEM OFF
SLIDING THE
FAN SPEED SWITCH
TO OFF WILL SHUT
DOWN THE SYSTEM
IN ANY MODE.

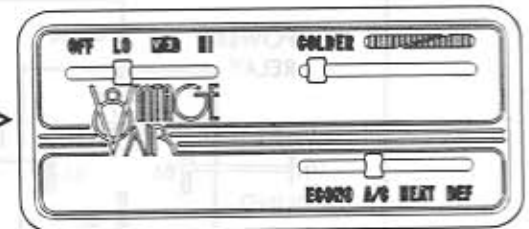


**ECONO
MODE**



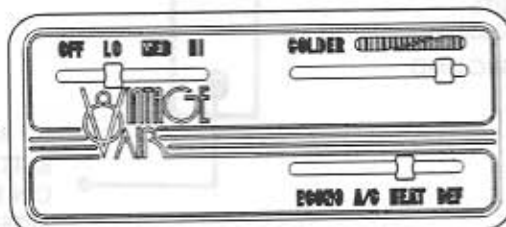
SELECT FAN SPEED.
SET MODE SWITCH TO ECONO FOR
RECIRCULATION WITHOUT AC/HEAT/DEFROST.

**A/C
MODE**



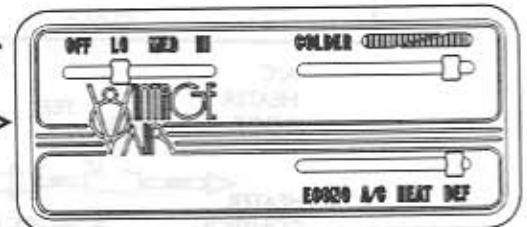
SELECT FAN SPEED.
SET MODE SWITCH TO A/C.
SLIDE THERMOSTAT KNOB TO COLDER.

**HEAT
MODE**



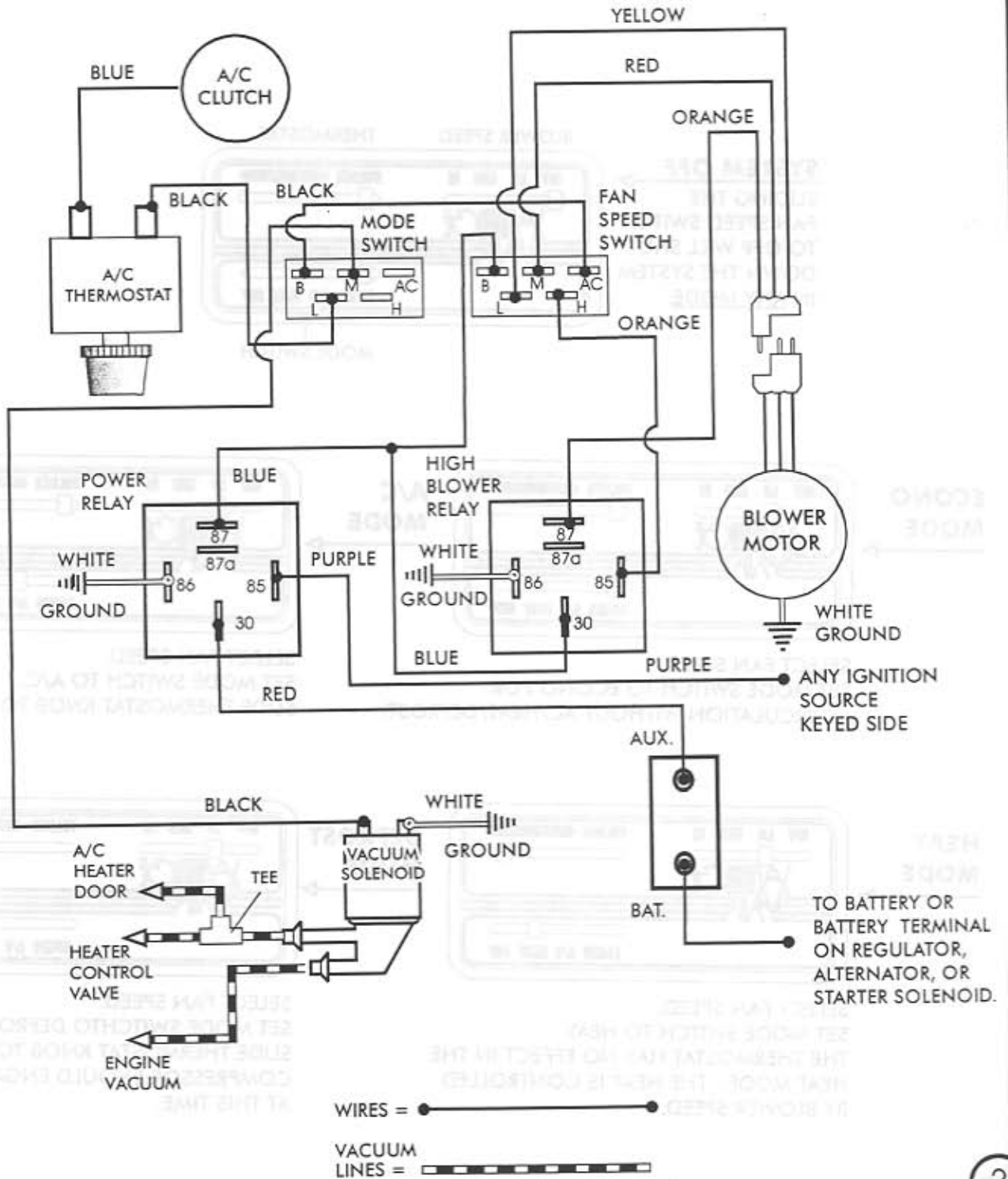
SELECT FAN SPEED.
SET MODE SWITCH TO HEAT.
THE THERMOSTAT HAS NO EFFECT IN THE
HEAT MODE. THE HEAT IS CONTROLLED
BY BLOWER SPEED.

**DEFROST
MODE**

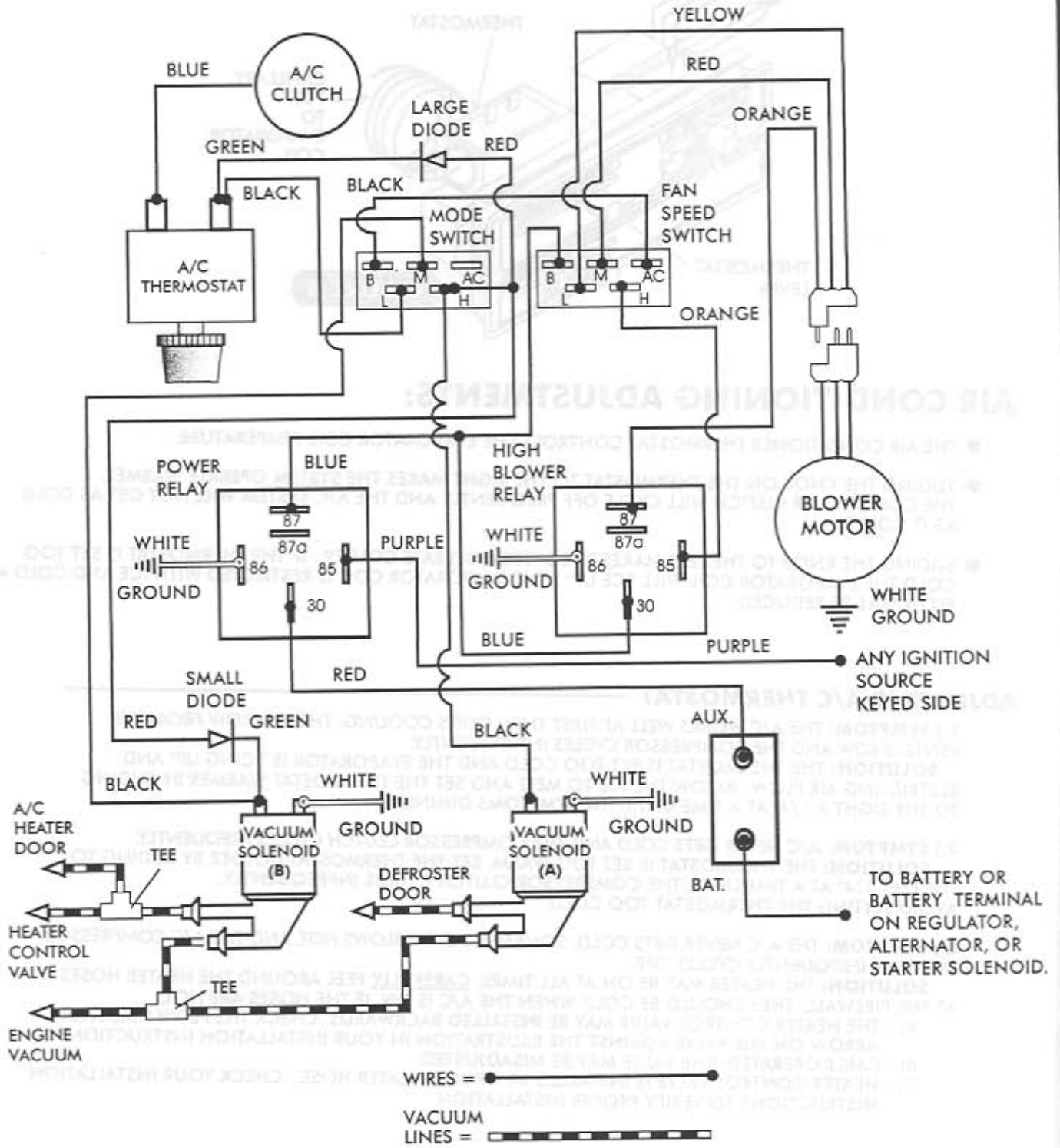


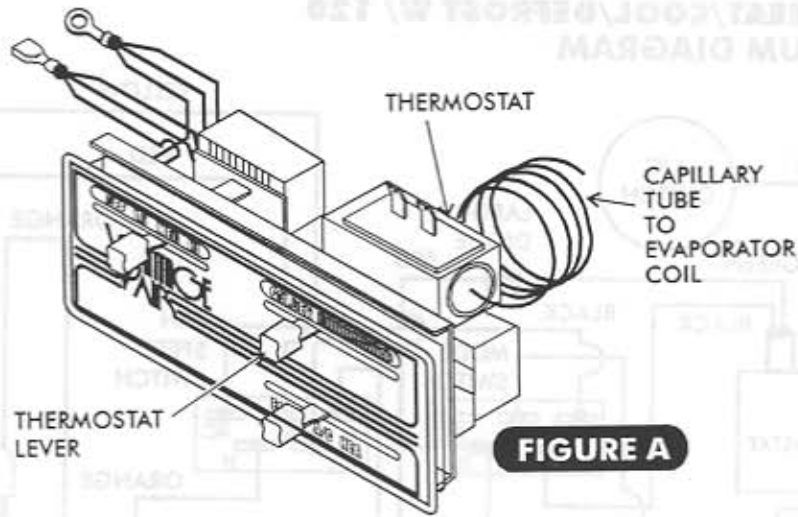
SELECT FAN SPEED.
SET MODE SWITCH TO DEFROST.
SLIDE THERMOSTAT KNOB TO HOTTER.
COMPRESSOR SHOULD ENGAGE
AT THIS TIME.

SERIES II & III WIRING/VACUUM DIAGRAM HEAT & COOL



SERIES II & III HEAT/COOL/DEFROST W/ 120 WIRING/VACUUM DIAGRAM





AIR CONDITIONING ADJUSTMENTS:

- THE AIR CONDITIONER THERMOSTAT CONTROLS THE EVAPORATOR COIL TEMPERATURE.
- SLIDING THE KNOB ON THE THERMOSTAT TO THE RIGHT MAKES THE SYSTEM OPERATE WARMER. THE COMPRESSOR CLUTCH WILL CYCLE OFF FREQUENTLY AND THE A/C SYSTEM WILL NOT GET AS COLD AS IT COULD.
- SLIDING THE KNOB TO THE LEFT MAKES THE SYSTEM OPERATE COLDER. IF THE THERMOSTAT IS SET TOO COLD THE EVAPORATOR COIL WILL "ICE UP" - THE EVAPORATOR COIL IS RESTRICTED WITH ICE AND COLD AIR FLOW WILL BE REDUCED.

ADJUSTING A/C THERMOSTAT

1.) **SYMPTOM:** THE A/C WORKS WELL AT FIRST THEN QUILTS COOLING. THE AIR FLOW FROM THE VENTS IS LOW AND THE COMPRESSOR CYCLES INFREQUENTLY.

SOLUTION: THE THERMOSTAT IS SET TOO COLD AND THE EVAPORATOR IS "ICING UP" AND RESTRICTING AIR FLOW. ALLOW THE ICE TO MELT AND SET THE THERMOSTAT WARMER BY SLIDING TO THE RIGHT A 1/4" AT A TIME UNTIL THE SYMPTOMS DIMINISH.

2.) **SYMPTOM:** A/C NEVER GETS COLD AND THE COMPRESSOR CLUTCH CYCLES FREQUENTLY.

SOLUTION: THE THERMOSTAT IS SET TOO WARM. SET THE THERMOSTAT COLDER BY SLIDING TO THE LEFT 1/4" AT A TIME UNTIL THE COMPRESSOR CLUTCH CYCLES INFREQUENTLY. AVOID SETTING THE THERMOSTAT TOO COLD.

3.) **SYMPTOM:** THE A/C NEVER GETS COLD, SOMETIMES EVEN BLOWS HOT, AND THE A/C COMPRESSOR CLUTCH INFREQUENTLY CYCLES OFF.

SOLUTION: THE HEATER MAY BE ON AT ALL TIMES. CAREFULLY FEEL AROUND THE HEATER HOSES AT THE FIREWALL. THEY SHOULD BE COLD WHEN THE A/C IS ON. IF THE HOSES ARE HOT...

- A) - THE HEATER CONTROL VALVE MAY BE INSTALLED BACKWARDS. CHECK THE FLOW DIRECTION ARROW ON THE VALVE AGAINST THE ILLUSTRATION IN YOUR INSTALLATION INSTRUCTIONS.
- B) - CABLE OPERATED: THE VALVE MAY BE MISADJUSTED.
- C) - HEATER CONTROL VALVE IS INSTALLED IN WRONG HEATER HOSE. CHECK YOUR INSTALLATION INSTRUCTIONS TO VERIFY PROPER INSTALLATION.